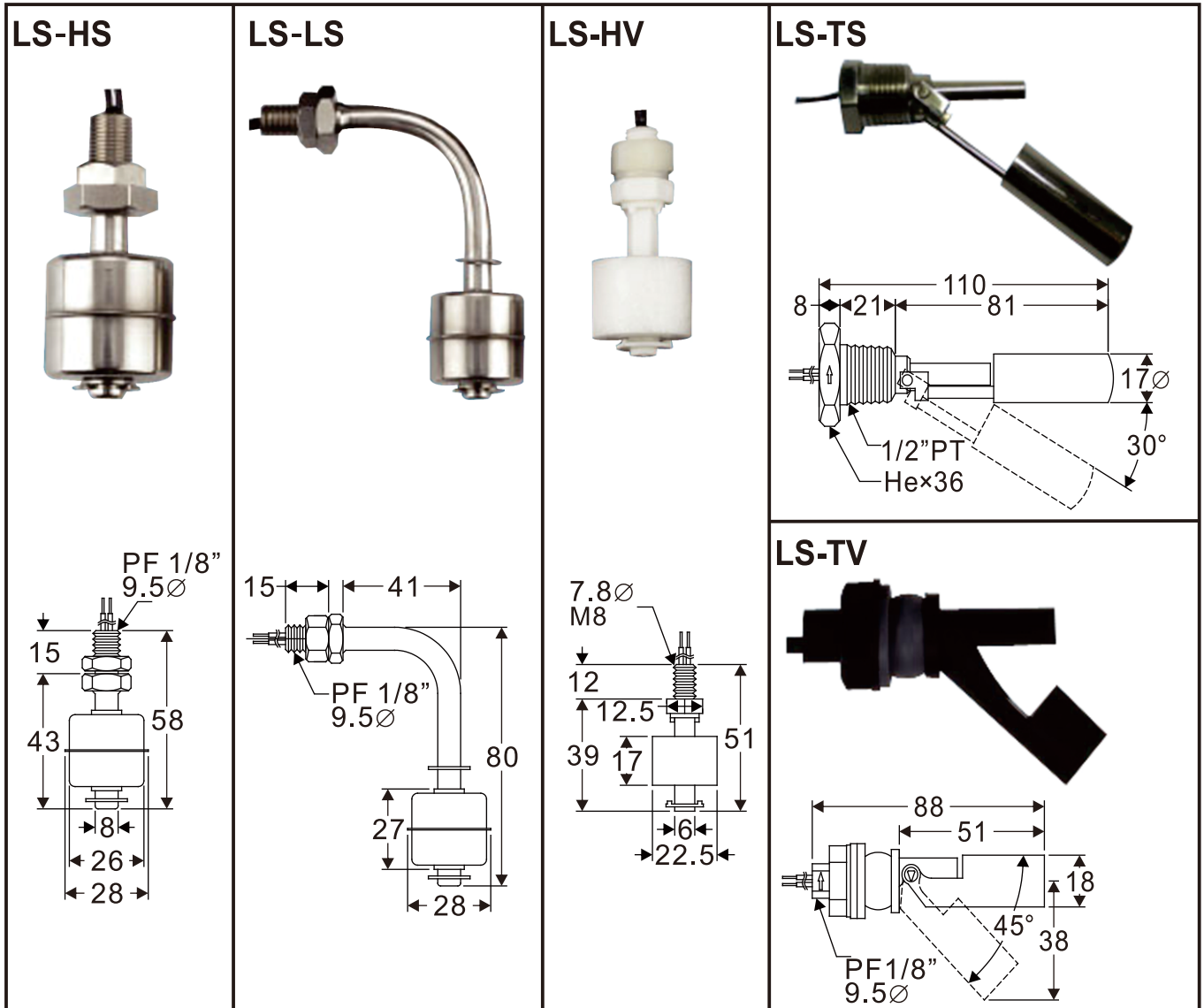


# 新政

Model LS-HS LS-LS LS-HV LS-TS LS-TV  
**小型浮球液位開關**

## HSIN JENG FLOAT SENSOR



MODEL TYPE	LS-HS	LS-LS	LS-TS	LS-HV	LS-TV
Operation	ON for float rise			OFF for float rise	
Max. Switching Capacity	50W	50W	50W	10W	50W
Max. Switching Voltage	200 VDC	200 VDC	200 VDC	100 VDC	200 VDC
Max. Switching Current	1.0A	1.0A	1.0A	0.5A	1.0A
Max. Contact Resistance	0.2Ω	0.2Ω	0.2Ω	0.2Ω	0.2Ω
Reversible Switch Action	Yes	Yes	Yes	Yes	Yes
Operating Temperature	-20~+120°C	-20~+120°C	-20~+120°C	0~+80°C	0~+105°C
Material	Float: SUS304, SUS316 Case: SUS304, SUS316			Float:P.P foam Case:P.P resin	Float:P.P resin Case:P.P resin
Float Gravity	0.8	0.8	0.8	0.64	0.65

新政儀器有限公司

TEL:(02)26940177 (02)26949824 FAX:(02)26946663

www.hsinjeng.com.tw E-mail : hsin.jeng@msa.hinet.net